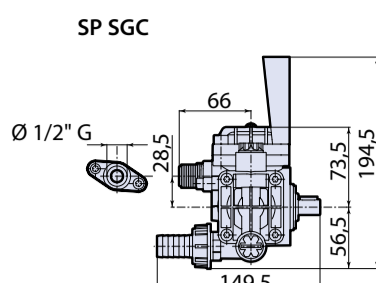
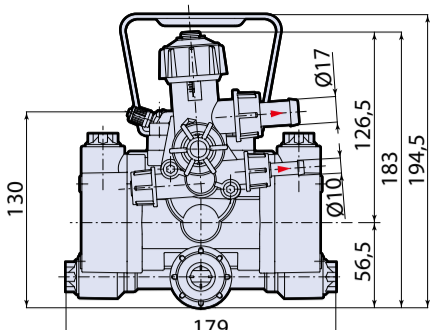
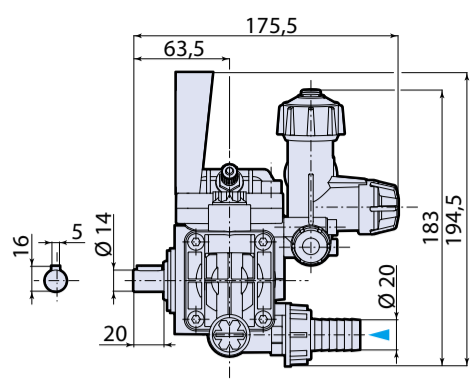
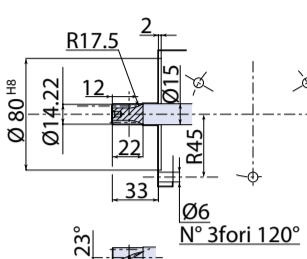




AR DUE



CR/xS

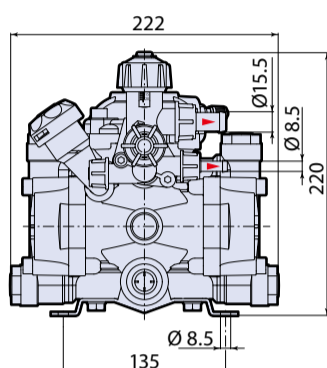
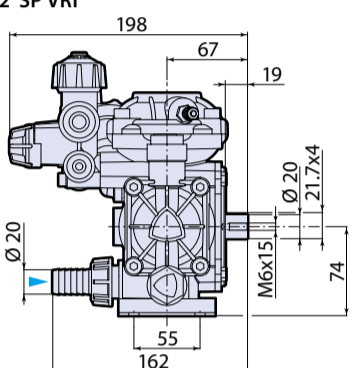


花键参数表	
Mn	1,250
Mc	1,358
Z	8
Dp	11,73
De	14,22
Di	8,81
press.	20°
elica	23° sinistra
Wildab. 3Z	6,01 ⁰ _{-0,03}
Interasse	48,20
Rapp. Tras.	1:7,875

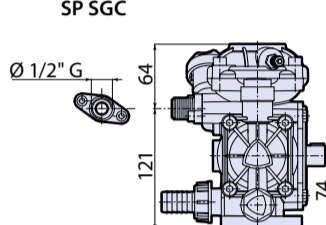


AR 202 - AR 252

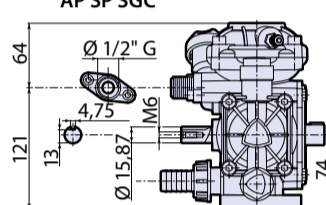
AR 202 SP VRI



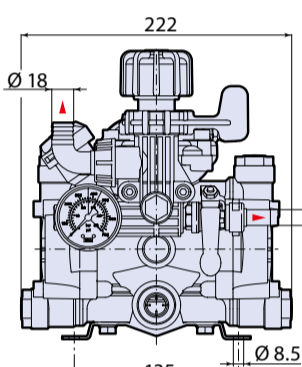
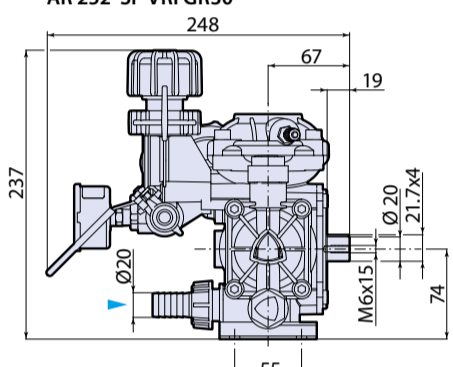
SP SGC



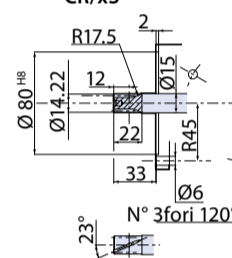
AP SP SGC



AR 252 SP VRI GR30



CR/xS

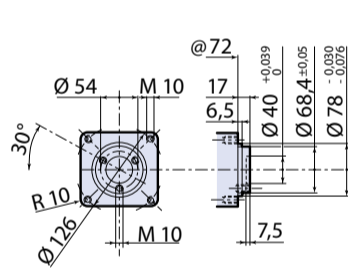
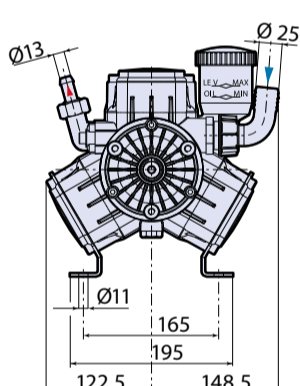
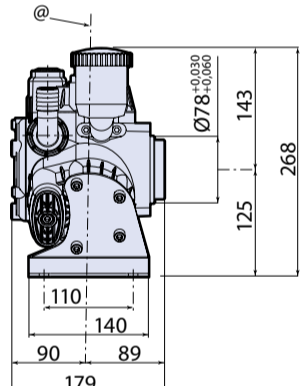


花键参数表	
Mn	1,250
Mc	1,358
Z	8
Dp	11,73
De	14,22
Di	8,81
press.	20°
elica	23° sinistra
Wildab. 3Z	6,01 ⁰ _{-0,03}
Interasse	48,20
Rapp. Tras.	1:7,875



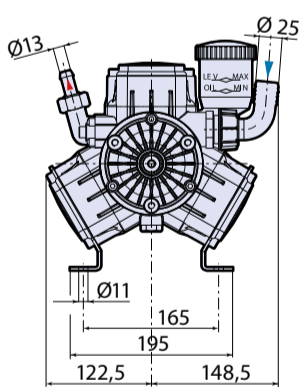
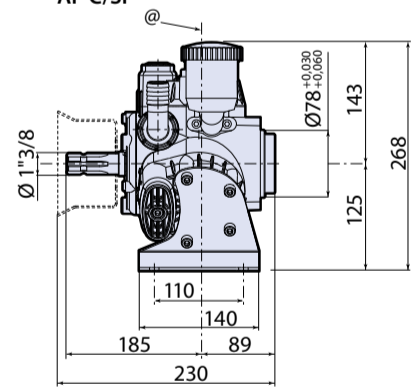
AR 303 - AR 403

SP



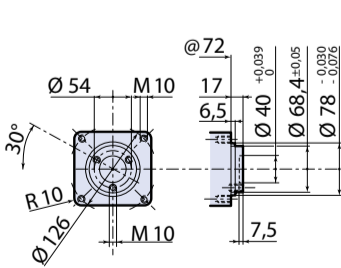
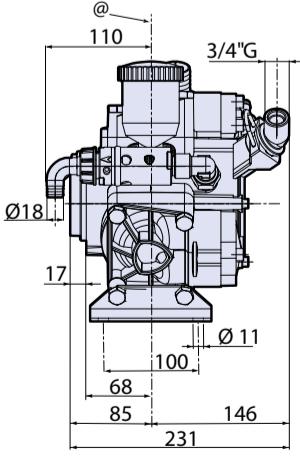
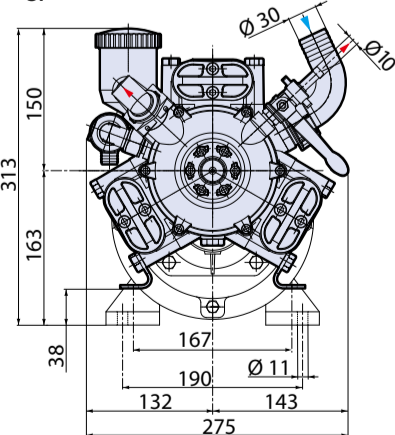
@ = Pump axis - 泵中心线

AP C/SP



AR 503

SP



@ = Pump axis - 泵中心线

AP C/SP

